

⚠️ **WARNING:** read the instructions carefully before

WET & DRY VACUUM CLEANER

EN

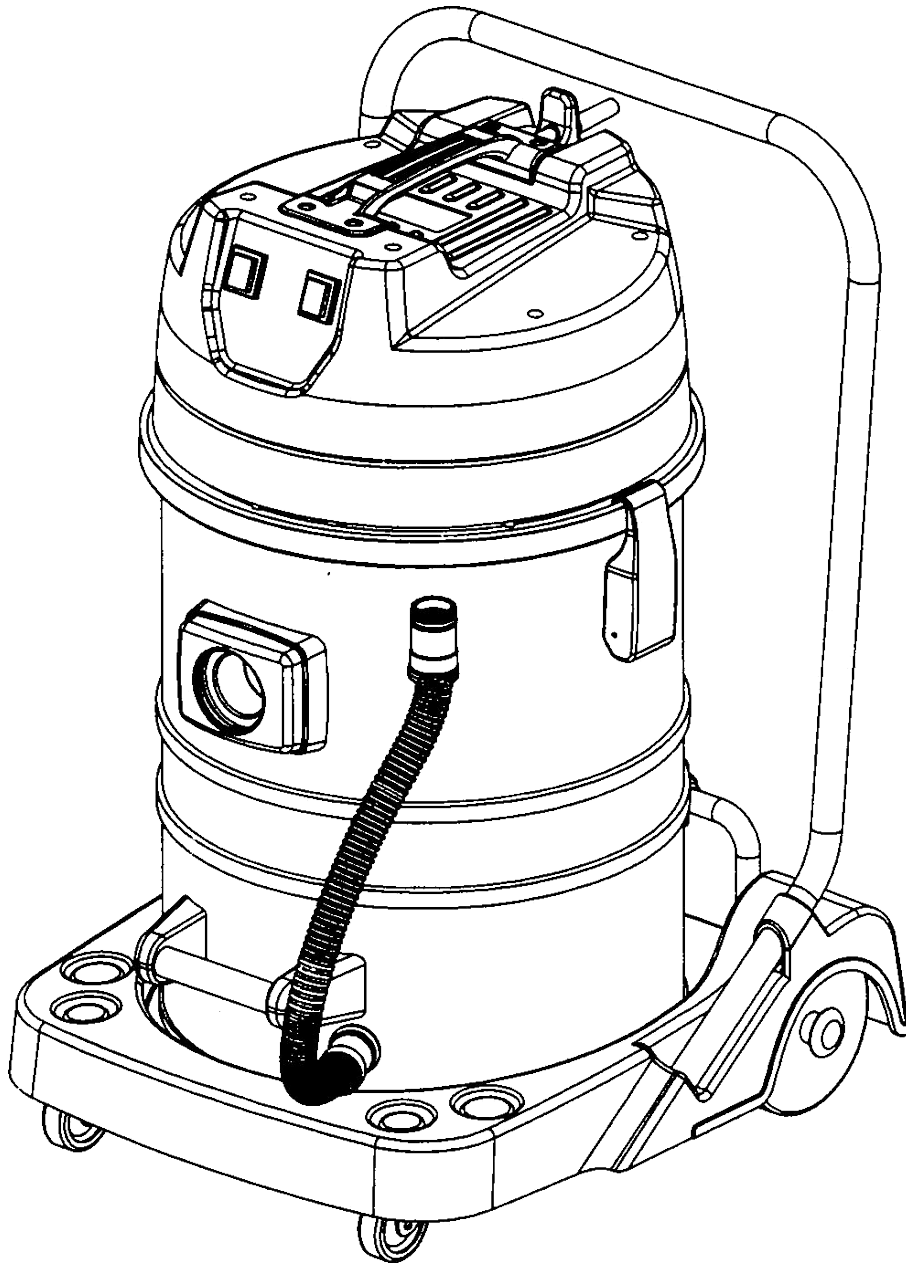
INSTRUCTION MANUAL

THOR 280 IF



VACUUM CLEANER

INSTRUCTION MANUAL



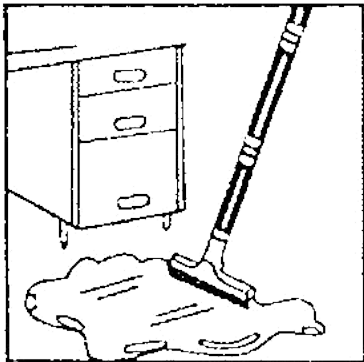
WL70 WET&DRY VACUUM CLEANER

1. Characteristics

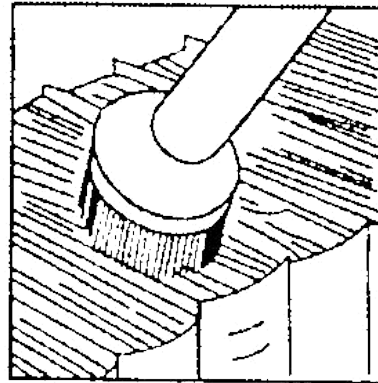
1. Vacuum cleaner for wet and dry
2. With double wheels motor, motors work at the same time with stronger suction
3. Jacks on the base, easy for depositing accessories
4. With special and good-looking design, suitable for hotel, office, factory etc.
5. Stainless steel barrel for permanent use

2. Choose suitable accessories for different occasions.

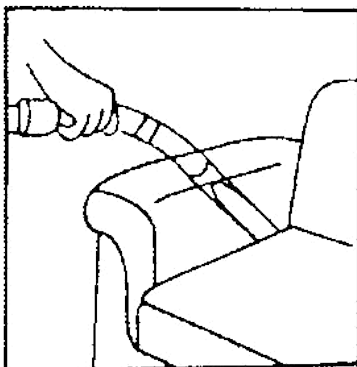
Wet floor nozzle for floor, carpet etc



Bristle for window, table etc.



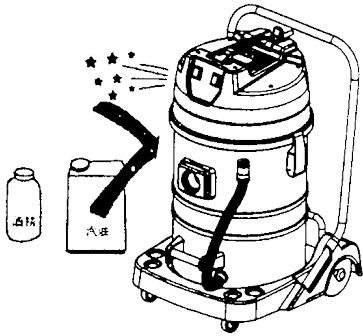
Crevice nozzle for crevice, corner etc.



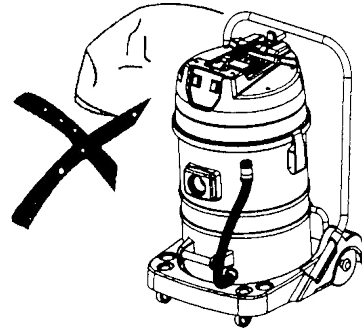
3. Safety Instruction

1. Check before operation that the power voltage is the same as the specification on the rating label

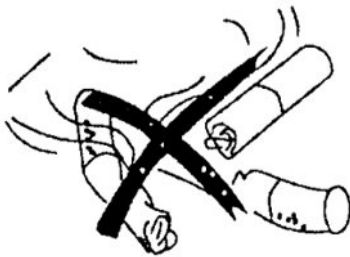
2. Do not use machine in the combustibile and explosive place in case the motor spark cause fire.



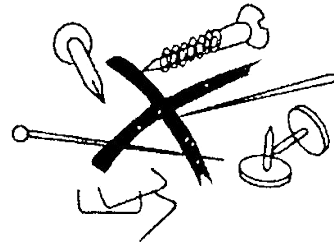
Do not jam the air inlet mouth, in case causing high temperature rise and damage the motor



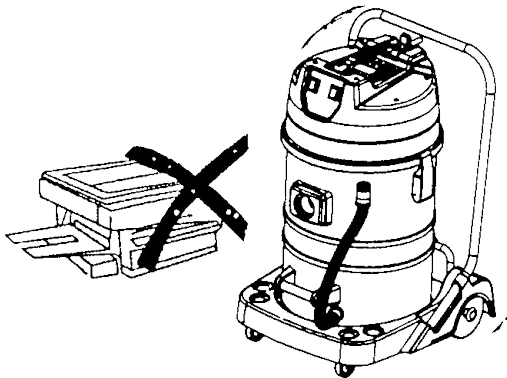
3. Do not pick up combustibile and explosive objects such as glowing cigarette, gasoline etc. Do not pick up sharp objects



4. Do not pick up sharp objects



4. Do not pick up objects which easily attach on the filter such as calcareousness powder, gesso and graphite powder that will block the ventilation and damage motor.

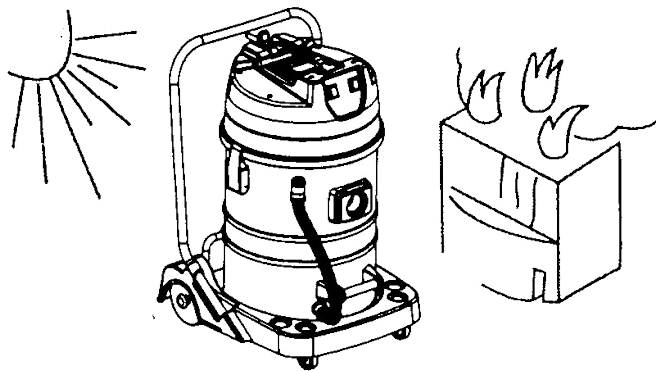


5.Warning: If water out from air outlet mouth,do not overturn the machine when repairing in case water goes into the motor and cause damage
Do not use this machine as pump in case damaging the motor

6. Turn off the machine and remove the plug each time after using or when repairing

7. Keeping machine away from strong sunlight and high temperature place in case plastic distorting.

8. Do not wrest,tramp,or haul hose in case make it damaged.



9. Do not immerses water into the barrel cap or wash the barrel cap by water in case water goes into the electriferous parts and cause person injury.The correct way should be: Immerses the dishcloth then tweak to be dry.Wipe the dirty part gently.

10.Do not use by children or not mature person

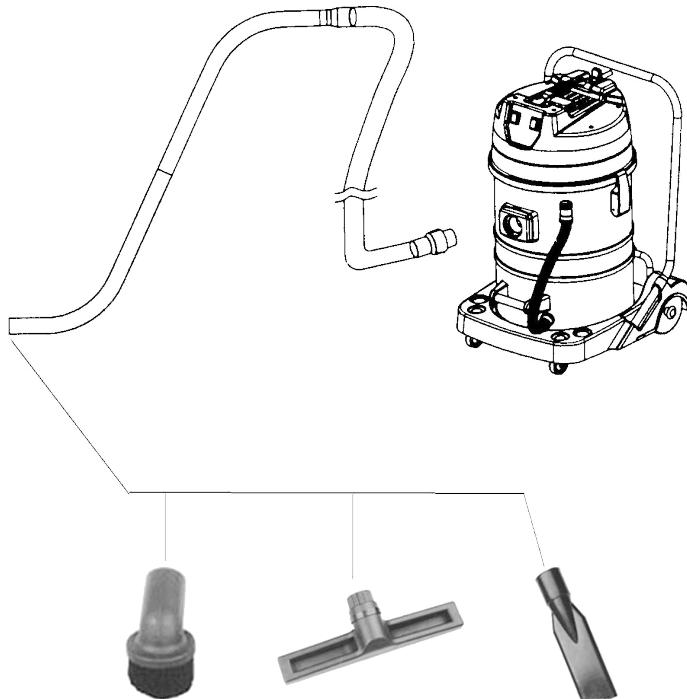
11.When clearing the stair,do use extra protection in case machine falls off when moving the hose

4. Use Instruction

1. Connection

Insert the hose connector into the air inlet mouth as picture shows,make sure the connector is tightly fastened.

Connect all the accessories as picture shows.



2. Check whether the dust filter is put in before operation
3. Take away all the things in barrel including the dust filter before the wet use
4. Put the power cordless at the right back of connector terminal when use the machine
5. Insert the plug into the supply socket
6. Press switch button,the machine begin to work

5. Protection Device

Special instruction concerning preprotective device

1. When the water in the barrel is full, the device begins to work. The suction power will vanish at this moment. The machine will make a noise which indicates the motor is running at a big speed. Under this circumstance, you should cut off the electricity, clean out the water. Then equip the machine and turn it on, it will begin to work normally.
2. Only connect to a proper 220-240 volt, 50Hz socket
3. If the supply cord is damaged, it must be replaced by the manufacturer or its service agent or a similarly qualified person in order to avoid a hazard.
4. This appliance is not intended for use by persons (including children) with reduced physical, sensory or mental capabilities, or lack of experience and knowledge, unless they have been given supervision or instruction or instruction concerning use of the appliance by a person responsible for their safety
5. Children should be supervised to ensure that they do not play with the appliance.

6. Correct Disposal of this product

This marking indicates that this product should not be disposed with other household wastes throughout the EU. To prevent possible harm to the environment or human health from uncontrolled waste disposal, recycle it responsibly to promote the sustainable reuse of material resources. To return your used device, please use the return and collection systems or contact the retailer where the product was purchased. They can take this product for environmental safe recycling.

7. Warranty Information

The manufacturer provides warranty in accordance with the legislation of the customer's own country of residence, with a minimum of 1 year, starting from the date on which the appliance is sold to the end users.

The warranty only covers defects in material or workmanship.

The repairs under warranty may only be carried out by an authorized service centre. When making a claim under the warranty, the original bill of purchase (with purchase date) must be submitted.

The warranty will not apply in cases of:

- Normal wear and tear
- Incorrect use, e.g. overloading of the appliance, use of non-approved accessories
- Use of force, damage caused by external influences
- Damage caused by non-observance of the user manual, e.g. connection to an unsuitable mains supply or non-compliance with the installation instructions
- Partially or completely dismantled appliances.

8. Maintenance

1. Barrel Cleaning

After working or when the barrel is full of dust which cause suction decreases considerably,you should cut off the electricity and clean the dust away from the barrel.

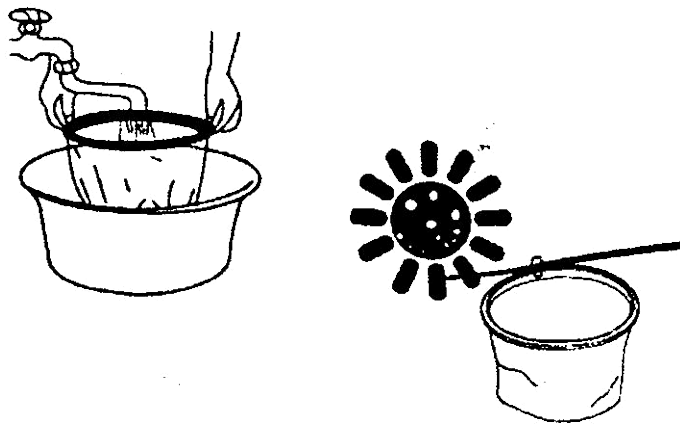
- 1) Unfasten the locking knob,lift up the top cover
- 2) Take off the filter bag, clean the dust away in the dust barrel.
- 3) Install the filter bag back and place the top cover.

(The position of the power switch and air inlet mouth should be in the same direction.)

2. Filter bag cleaning

The filter bag should be washed by clean and warm water when it was covered with dust.If necessary,you can use litmusless scour to wash.

- 1) Take off the filter
- 2) Wash
- 3) Dry

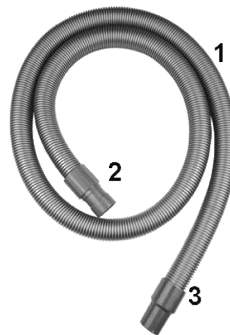


9. WET/DRY VACUUM CLEANER

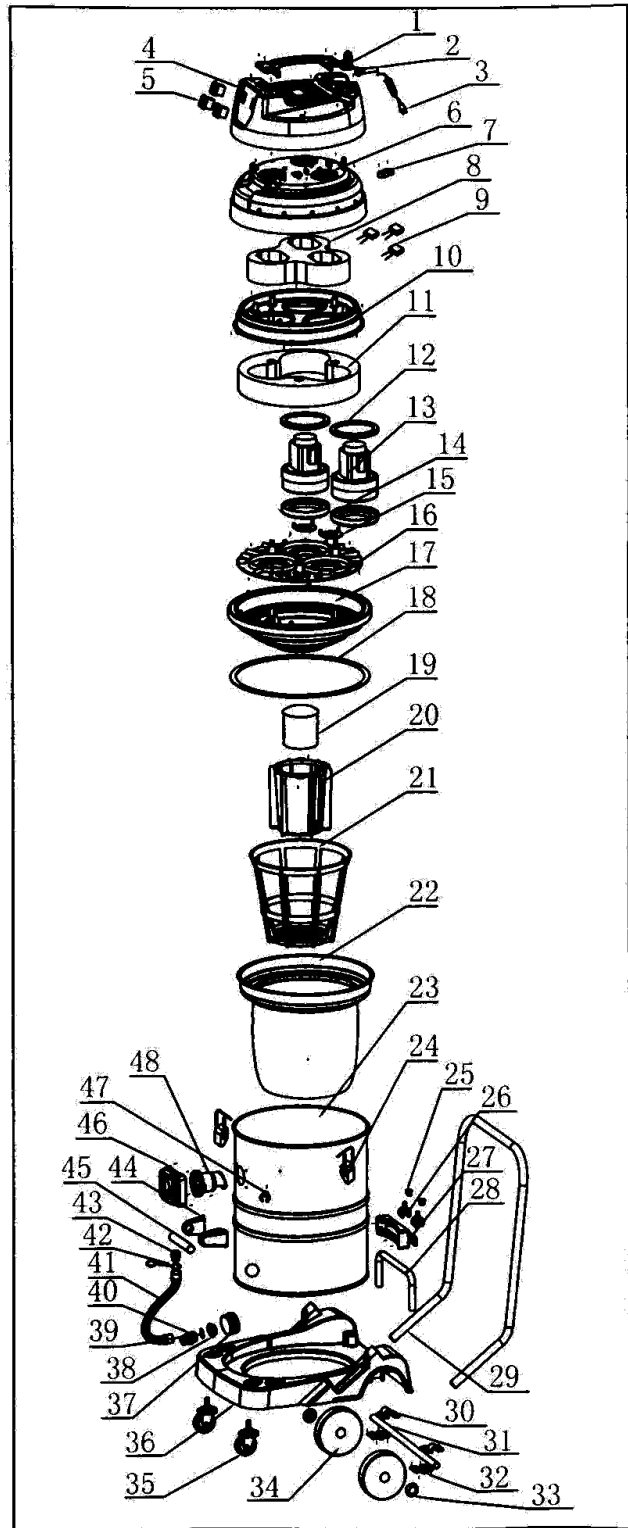


Accessories

1	Suction hose
2	Short Connector
3	Long Connector
4	Metal Tube
5	Dry floor nozzle
6	Wet floor nozzle
7	Crevice nozzle
8	Dust brush



1. Handle
2. Coating
3. Power cable
4. Top cover
5. Switch
6. Middle cover
7. Pad
8. Sponge
9. Capacitor
10. Middle cover gasket
11. Air outlet sponge
12. Upper gasket
13. Motor
14. Lower gasket
15. Air inlet blocking board
16. Motor pedestal
17. Barrel cover
18. windtight ring
19. Protective valve
20. Pedestal basket
21. Support basket
22. Filter
23. Barrel
24. Barrel lock
25. Locking block
26. Turnover part
27. Turnover shelf
28. Turnover support shelf
29. Base big handrail
30. Axle press-cover
31. Axle
32. Axle press-bottom
33. Cork
34. Rubber wheel
35. Wheel
36. Pedestal
37. Tight gasket
38. Water outlet
39. Rubber gasket
40. Water outlet screw
41. Water outlet hose
42. Connector ring
43. Water outlet coating
44. Handle pedestal



45. tainless steel tube
46. ction pedestal
47. Ring
48. Sucker mouth

LAVORWASH S.p.a. Via J.F.Kennedy, 12 - 46020 Pegognaga (MN) ITALY



IT Dichiarazione CE/UE di Conformità ai sensi delle Direttive (e successive modificazioni): **EN EC/EU declaration of conformity** according to Directive (and following amendments): **FR Déclaration CE/UE de conformité** aux termes des directives européennes (et leurs modifications successives): **DE EG/EU-Konformitätserklärung** gemäß Richtlinien (und späteren Änderungen): **ES Declaración CE/UE de Conformidad** en virtud de las Directivas (y sus sucesivas modificaciones): **PT Declaração CE/UE de Conformidade** nos termos das Directivas (e modificações posteriores): **FI EY/EU-vaatimusten mukaisuusvakuutus** direktiivien (ja niiden muutosten) mukaan:

IT PRODOTTO: ASPIRAPOLVERE, ASPIRALIQUIDI
EN PRODUCT: WET & DRY VACUUM CLEANER
FR PRODUIT: ASPIRATEUR EAU ET POUSSIÈRE
DE PRODUKT: NAß-UND TROCKENSAUGER
ES PRODUCTO: ASPIRADORA, ASPIRALÍQUIDO
PT PRODUTO: ASPIRADOR DE PÓ E LÍQUIDO
FI TUOTE: Märkä/kuivaimuri

MODELLO - TIPO: THOR 280 IF
MODEL - TYPE:
MODELE-TYPE:
MODELL-TYP:
MODELO - TIPO:
MODELO - TIPO:
MALLI TYYPPI:

IT é conforme alle direttive CE/UE e loro successive modificazioni, ed alle norme **EN**: **EN** complies with directives EC/EU and subsequent modifications, and the standards **EN**: **FR** est conforme aux directives CE/UE et aux modifications successives ainsi qu'aux normes **EN**: **DE** entspricht folgenden EG/EU-Richtlinien einschließlich späteren Änderungen und EN-Normen: **ES** está en conformidad con las directivas CE/UE y sus sucesivas modificaciones y también con la norma **EN**: **NL** in overeenstemming is met de Richtlijnen EG/EU en latere wijzigingen daarop en de normen **EN**: **PT** está em conformidade com as directivas CE/UE e as suas sucessivas modificações bem como com as normas **EN** e as suas sucessivas modificações: **FI** On yhdenmukainen EY/EU direktiivien ja niitä seuraavien standardimuutosten, ja niitä seuraavien muutosten kanssa.

2006/42/EC (+2009/127/EC)
2014/30/EU
2011/65/EU

EN 60335-1 EN 55014-1:2006+A1:2009+A2:2011
EN 60335-2-69 EN 55014-1:2017+A11:2020
EN 62233:2008 EN 55014-2:2015
EN 55014-2:1997+AC:1997+A1:2001+A2:2008
EN 61000-3-2:2014.
EN 61000-3-3:2013.

IT numero di serie a partire da: **ES** número de serie de:
EN serial number starting from: **PT** número de série a partir de:
FR numéro de série à partir de: **FI** jonka sarjanumero lähtien numerosta:
DE Seriennummer beginnend:

0.000.0000-0000-2022/19-0000

IT I fascicolo tecnico si trova presso
EN Technical booklet at
FR Dossier technique auprès de:
DE Die technische Aktenbündel befindet sich bei
ES El manual técnico se encuentra en:
PT Processo técnico em:
FI Tiedoston tekninen alkaen:

Pegognaga 2022/06/09

Paolo Bucchi
(Legal Representative
Lavorwash S.p.A.)

LAVORWASH S.p.a. Via J.F.Kennedy, 12 - 46020 Pegognaga (MN) ITALY